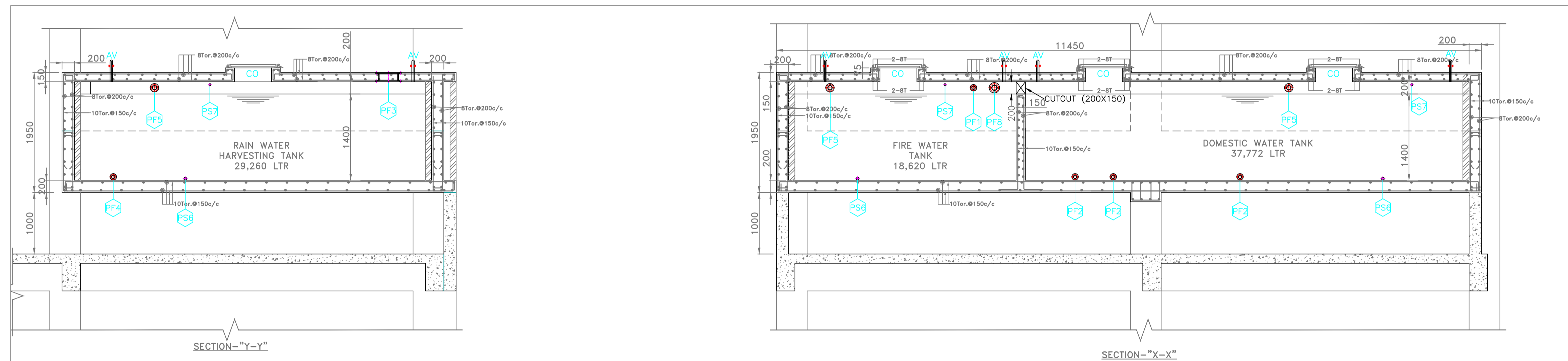
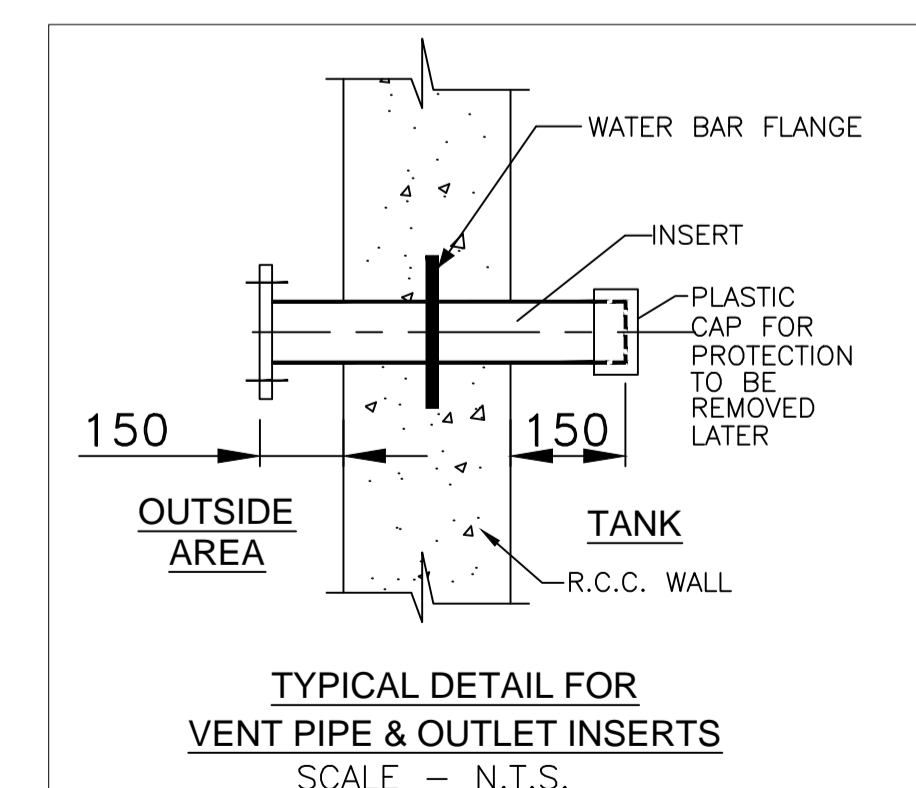
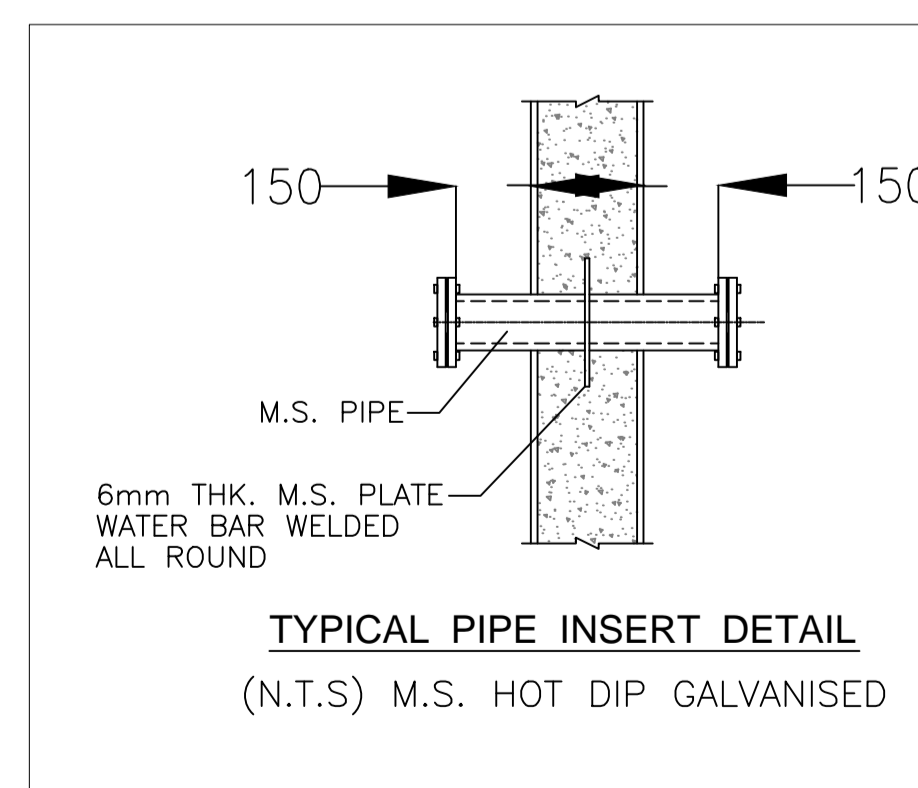


PLAN



SECTION

SCHEDULE OF SLEEVES & CUTOUTS FOR WATER TANK	
PF1	= ϕ 50 PUDDLE FLANGE, IL.(+)2675MM (FOR FIRE TANK INLET PIPE)
PF2	= ϕ 50 PUDDLE FLANGE, IL.(+)1228MM (FOR DOMESTIC TANK OUTLET PIPE)
PF3	= ϕ 300 PUDDLE FLANGE, IL.(+)2814MM (FOR RAIN WATER TANK INLET PIPE)
PF4	= ϕ 50 PUDDLE FLANGE, IL.(+)1228MM (FOR RAIN WATER TANK OUTLET PIPE)
PF5	= ϕ 65 PUDDLE FLANGE, IL.(+)2668MM (FOR SPARE SLEEVE)
PS6	= ϕ 40 PIPE SLEEVE, IL.(+)1203M (FOR TANK DRAIN PIPE)
PS7	= ϕ 32 PIPE SLEEVE, IL.(+)2734MM (FOR TANK LEVEL INDICATOR)
PF8	= ϕ 80 PUDDLE FLANGE, IL.(+)2660MM (FOR FIRE DRAIN INLET PIPE)
AV	= ϕ 40 PIPE SLEEVE (FOR TANK VENT PIPE)
CO	= ϕ 600 CUTOUT IN TANK SLAB (FOR TANK ACCESS)
B.O.S. = BOTTOM OF SLEEVE	
NOTE : SLEEVE LEVELS ARE AS PER ASSUMED UNFINISHED FLOOR LEVEL IS (\pm) 0.00M	



NOTES:

REV	DESCRIPTION	DATE	DWN.	CHKD.	APPD.	SIGN
00	ISSUED FOR APPROVAL	09.06.17	AMJ	PBK	RNJ	

RECEIVER'S SIGN/STAMP

PROJECT:

PURPOSE OF RELEASE:

ISSUED FOR APPROVAL

CLIENT:

KEY PLAN

ARKK consulting
Design Engineering Project Management
4, Sumer Kendra, Pandurang Budhkar Marg, Worli, MUMBAI - 400 018.
PHONE:(022) 4025 0100 FAX:(022)2496 0489
E-mail: rnj@arkkconsulting.com

DRAWING TITLE:

17 D WATER TANK LAYOUT
19TH FLOOR

NAME	DATE	SIGN
DRAWN BY AMOL	09/06/17	
CHECKED BY PRASAD	09/06/17	
APPROVED BY R.N.JOSHI	09/06/17	

DRAWING No. 17D/WATER TANK 11	SCALE 1:40
	REV 00